



Graver Technologies

Filtration | Separation | Purification

SC™ Series Filter Housings

Single Cartridge Filter Housings

The SC Series of single cartridge metal filter housings are available in 304L or 316L stainless steel wetted parts with either bolt or ring seal closure to service a wide range of general purpose filter applications. The SCR Ring Closure Series provide superior design features to serve higher pressure applications, allow full sump drainage and utilize a wider range of cartridge configurations. The SCB Bolt Closure Series is an economical design for double open ended cartridges.

Features–Benefits

- Single shell construction for quick spill-free cartridge replacement
- In-line pipe connections for easy installation in ½, ¾ and 1 inch pipe sizes
- Drains built in
- Rated for flow rates to 7 GPM (26.5 lpm) per 10 inch filter cartridge length
- Mounting brackets are available
- Housing pressure drop is 0.6 psid at 7gpm (.04 bar @ 26.5 lpm)

SCR (with Ring Seal Closure)

- Superior design accommodates most cartridges, higher pressure and complete housing drainage
- High pressure seal design supports pressures to 300 psi (20.7 bar) @ 200°F (93°C)
- Center rod is eliminated to permit the use of double open end or single open end cartridges
- Tapered housing bottom permits complete drainage
- Model available for 222 and 226 O-ring style cartridge in all 316L stainless steel wetted parts

SCB (with Bolt Closure)

- Economical design accommodates DOE cartridges
- Optional T-handle available for sump removal
- Temperature rated to 250°F (121°C) and 250 psi (17.23 bar) maximum pressure

Typical Applications

- Process water
- Potable liquids
- Petro chemicals
- Coolants
- Hydraulic oils
- Solvents



SCR Ring Closure Housing



SCB Bolt Closure Housing

SC Housing Nomenclature Information

SCR	10	BSS	075	DOE	-E	
Model SCB, SCR		Material of Construction BSS 304L ¹ 316L	Inlet/Outlet Size 050 0.50" 075 0.75" 100 1.00"		Gasket B Buna-N S Silicone E EPR V Viton T Teflon	Legend SCB Single Cartridge (with Bolt Closure) SCR Single Cartridge (with Ring Closure) 304L 304L Sump, 316L Head 316L 316L Sump & Head BSS Brass Head, 304L Sump
Cartridge Height (10" lengths)						
04	4 7/8" 10 10"					
09	9 3/4" 20 20"					
			Connector DOE, 222 ² , 226 ²			

Example: SCR 10BSS075DOE-E

¹ Not available in SCR. ² Available as 316L only.

SC Housing Specifications

Model	Cartridge Length inches (cm)	Rated Capacity GPM (LPM)	Shipping Weight lbs (kg)	Cartridge Endcap Type	Maximum Pressure PSIG (bar)	Maximum Temp. °F (°C)
SCB-04	4 7/8" (12.4)	3.5 (13.3)	4 (1.8)	DOE	250 (17.2)	250 (121.1)
SCB-09	9 3/4" (24.8)	7 (26.5)	7 (3.2)	DOE	250 (17.2)	250 (121.1)
SCB-10	10" (25.4)	7 (26.5)	7 (3.2)	DOE	250 (17.2)	250 (121.1)
SCB-20	20" (50.8)	14 (53.0)	10 (4.5)	DOE	250 (17.2)	250 (121.1)
SCB-30	30" (76.2)	21 (79.5)	12 (5.4)	DOE	250 (17.2)	250 (121.1)
SCR-09	9 3/4" (24.8)	7 (26.5)	7 (3.2)	SOE or DOE	300 (20.7)	200 (93.3)
SCR-10	10" (25.4)	7 (26.5)	7 (3.2)	SOE or DOE	300 (20.7)	200 (93.3)
SCR-20	20" (50.8)	14 (53.0)	10 (4.5)	SOE or DOE	300 (20.7)	200 (93.3)
SCR-30	30" (76.2)	21 (79.5)	12 (5.4)	SOE or DOE	300 (20.7)	200 (93.3)

SC Housing Dimensional Data

Model	A inches (cm)	B inches (cm)	C inches (cm)	D inches (cm)
SCB-04	4" (10.2)	n/a	8 7/8" (22.6)	6" (15.2)
SCB-09	4" (10.2)	n/a	13 3/4" (34.9)	11" (27.9)
SCB-10	4" (10.2)	n/a	13 3/4" (34.9)	11" (27.9)
SCB-20	4" (10.2)	n/a	23 1/8" (60.6)	21" (53.3)
SCB-30	4" (10.2)	n/a	33 7/8" (86.0)	31" (78.7)
SCR-09	4 1/2" (11.4)	3 7/16" (8.4)	13 1/4" (33.3)	11 3/8" (28.9)
SCR-10	4 1/2" (11.4)	3 7/16" (8.7)	13 1/4" (33.7)	11 1/2" (29.2)
SCR-20	4 1/2" (11.4)	3 7/16" (8.7)	23 1/4" (59.1)	21 1/2" (54.6)
SCR-30	4 1/2" (11.4)	3 7/16" (8.7)	33 1/4" (84.5)	31 1/2" (80.0)
SCR-10-222/226	4 1/2" (11.4)	3 7/16" (8.7)	18" (45.7)	16 1/4" (41.8)
SCR-20-222/226	4 1/2" (11.4)	3 7/16" (8.7)	28" (71.1)	26 1/4" (66.7)
SCR-30-222/226	4 1/2" (11.4)	3 7/16" (8.7)	18" (96.5)	36 1/4" (92.1)

For more information

Graver Technologies Customer Service: **1-888-353-0303**

Technical Support: **1-888-353-0303**

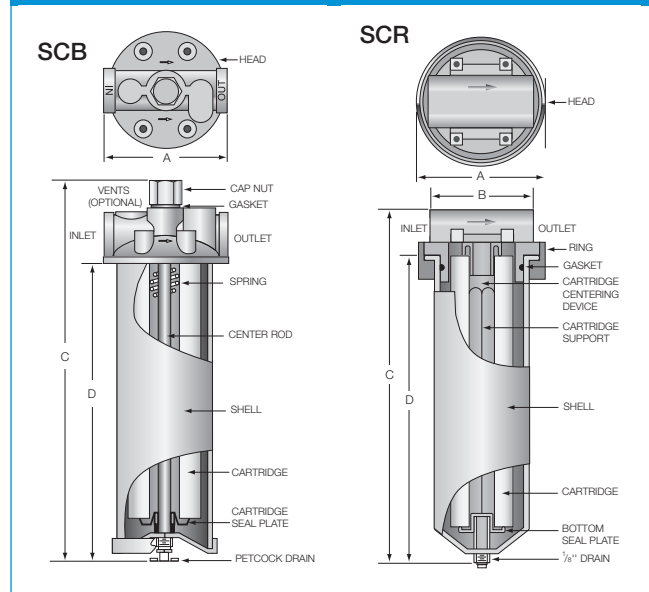
E-mail us at info@gravertech.com

Graver Technologies Europe (UK): **+44-1424-777791**

All information and recommendations appearing in this bulletin concerning the use of products described herein are based on tests believed to be reliable. However, it is the user's responsibility to determine the suitability for his own use of such products. Since the actual use by others is beyond our control, no guarantee, expressed or implied, is made by Graver Technologies as to the effects of such use or the results to be obtained. Graver Technologies assumes no liability arising out of the use by others of such products. Nor is the information herein to be construed as absolutely complete, since additional information may be necessary or desirable when particular or exceptional conditions or circumstances exist or because of applicable laws or government regulations.

SC is a trademark of Graver Technologies, LLC.

SC Housing Dimensional Drawing



DISTRIBUTED BY:



Graver Technologies

200 Lake Drive
Glasgow,
DE 19702 U.S.A.

302-731-1700
800-249-1990
Fax: 302-369-0938

e-mail: info@gravertech.com
web site: www.gravertech.com

