

Explosion-proof, Weatherproof



Introduction

These certified steady lights have been designed for use in flammable atmospheres and harsh environmental conditions. The marine grade alloy or stainless steel enclosures are suitable for use offshore or onshore, where lightweight combined with corrosion resistance and strength is required.

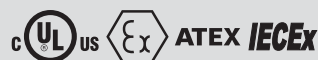
Units can be painted to customer specification and fitted with identification labels.

European and other world wide approvals are available, refer to main section of catalogue.

Features

- UL Listed for USA and Canada:
 - Hazardous locations:
 - Class I, Div. 1, Groups C & D.
 - Class I, Zone 1, AExd IIB T4/T5.
 - Ordinary locations: Visual-Signal Device.
- ATEX approved.
- NEMA 4x & 6, IP66 & IP67.
- *Certified temperature: -67°F to $+131^{\circ}\text{F}$.
 -55°C to $+55^{\circ}\text{C}$.
- Fluorescent up to 39W.
- Filament Lamps supplied.
- Corrosion Resistant.
- Optional lens guard.
- Tapered spigot flamepath.
- Relay initiate.

**Model dependent.*



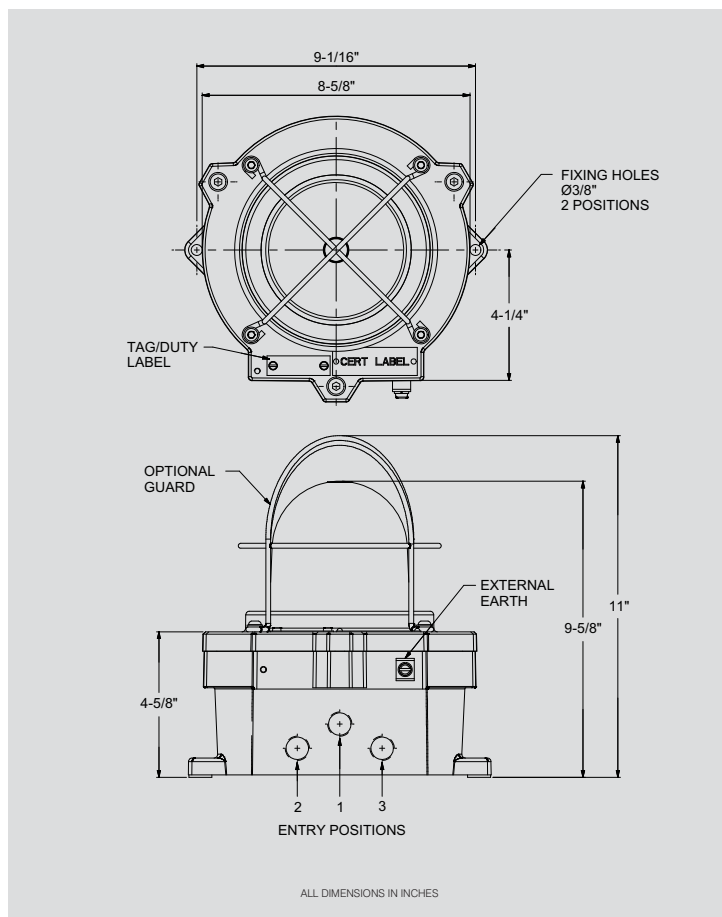
Certification and Specification

Models:	FL4 – Up to 3 x 13 Watt PL compact fluorescent lamps. FB4 – 100 watt GLS filament lamps. E27 holder as standard.
Certification:	UL Listed for USA and Canada. – Hazardous locations: Class I, Div. 1, Groups C & D. Class I, Zone 1, AExd IIB T4/T5. UL Listing No. E187894. – Ordinary locations: Visual-Signal Device (FL4 only). UL Listing No. S8128.
Material:	LM25TF Marine Grade Alloy body. Grade 316 ANC48 Stainless Steel body. Toughened Wellglass.
Finish:	Gray epoxy paint finish as standard or to customer's specification.
Voltage:	FL4 24V d.c., 120V a.c., 240V a.c. ± 10% 50/60hz. FB4 110V a.c. ± 10% 50/60hz.
Lamps:	Units are supplied with lamps.
Certified Temp:	FL4 –4°F to +131°F (–20°C to + 55°C). FB4 –67°F to +131°F (–55°C to + 55°C).
Weight:	FL4 14 – 17lb/6.5 – 7.9kg (add 19lb/8.4kg for stainless steel). FB4 13lb/6.4 kg.
Ingress Protection:	NEMA 4x & 6. IP66 and IP67.
Entries:	Up to 3 x 1/2" NPT or 2 x 3/4" NPT.
Terminals:	8 off suitable for up to 10 AWG conductor size.
Relay Initiate:	Available on all versions – operates with 24V d.c. initiate supplies only.
Labels:	Tag/Duty label option.

FL4 Lamp Details

Unit Type	Lamp Type	Lamp Ref	Holder Type
FL4	DC Osram Dulux D/E 13W	DD/E 13/XX	G24q-1
	Philips PLC 13W	PLC 13 P4	G24q-1
FL4 AC	Osram Dulux D/E 13W	DD/E 13/XX	G24q-1
	Philips PLC 13W	PLC 13	G24d-1

Osram Colour XX = (21 = Cool white) (31 = Warm white) (41 = Interna)



Temperature Ratings

Unit Type	Voltage/Wattage	T Class	Max. Amb.
FL4	DC units	T5	55°C
	AC units	T4	55°C
FB4	60W	T4 (UL T3)	55°C
	100W	T3	55°C

Ordering Requirements

The following code is designed to help in selection of the correct unit. Build up the reference number by inserting the code for each component into the appropriate box.

Model	Voltage	Certification	Terminals	Entries	Lamp Wattage	Lens	Lens Guard	Unit Options	Material	Finish																																																																					
<div style="border: 1px solid black; padding: 2px; width: 40px; height: 20px; margin-bottom: 5px;"></div> <div style="border: 1px solid black; padding: 2px; width: 40px; height: 20px;"></div>	<table border="1" style="width: 100%; border-collapse: collapse;"> <thead> <tr> <th>Voltage</th> <th>Code</th> </tr> </thead> <tbody> <tr> <td>24V d.c.</td> <td>B</td> </tr> <tr> <td>110V a.c.*</td> <td>E</td> </tr> <tr> <td>120V a.c.†</td> <td>F</td> </tr> <tr> <td>240V a.c.†</td> <td>H</td> </tr> </tbody> </table> <p><small>* FB4 only. † FL4 only.</small></p>	Voltage	Code	24V d.c.	B	110V a.c.*	E	120V a.c.†	F	240V a.c.†	H	<table border="1" style="width: 100%; border-collapse: collapse;"> <thead> <tr> <th>Type</th> <th>Code</th> </tr> </thead> <tbody> <tr> <td>8 x 10 AWG</td> <td>8U</td> </tr> </tbody> </table>	Type	Code	8 x 10 AWG	8U	<div style="border: 1px solid black; padding: 2px; width: 40px; height: 20px; margin-bottom: 5px;"></div> <div style="border: 1px solid black; padding: 2px; width: 40px; height: 20px;"></div>	<table border="1" style="width: 100%; border-collapse: collapse;"> <thead> <tr> <th>Wattage</th> <th>Code</th> </tr> </thead> <tbody> <tr> <td>FL4 13W (1 x 13W tube)</td> <td>13</td> </tr> <tr> <td>26W (2 x 13W tubes)</td> <td>26*</td> </tr> <tr> <td>39W (3 x 13W tubes)</td> <td>39*</td> </tr> <tr> <td>FB4 60W</td> <td>60</td> </tr> <tr> <td>100W</td> <td>100</td> </tr> </tbody> </table> <p><small>* Only available in the following voltage: 26W – a.c. only. 39W – H (240v a.c.).</small></p>	Wattage	Code	FL4 13W (1 x 13W tube)	13	26W (2 x 13W tubes)	26*	39W (3 x 13W tubes)	39*	FB4 60W	60	100W	100	<table border="1" style="width: 100%; border-collapse: collapse;"> <thead> <tr> <th>Colour</th> <th>Code</th> </tr> </thead> <tbody> <tr> <td>Clear</td> <td>C</td> </tr> <tr> <td>Red</td> <td>R</td> </tr> <tr> <td>Blue</td> <td>B</td> </tr> <tr> <td>Green</td> <td>G</td> </tr> <tr> <td>Yellow</td> <td>Y</td> </tr> <tr> <td>Amber</td> <td>A</td> </tr> </tbody> </table>	Colour	Code	Clear	C	Red	R	Blue	B	Green	G	Yellow	Y	Amber	A	<div style="border: 1px solid black; padding: 2px; width: 40px; height: 20px; margin-bottom: 5px;"></div> <div style="border: 1px solid black; padding: 2px; width: 40px; height: 20px;"></div>	<table border="1" style="width: 100%; border-collapse: collapse;"> <thead> <tr> <th>Option</th> <th>Code</th> </tr> </thead> <tbody> <tr> <td>Duty*</td> <td>D</td> </tr> <tr> <td>Tag*</td> <td>T</td> </tr> <tr> <td>24V d.c. (relay init.)</td> <td>R</td> </tr> <tr> <td>None</td> <td>N</td> </tr> </tbody> </table> <p><small>* Please specify wording.</small></p>	Option	Code	Duty*	D	Tag*	T	24V d.c. (relay init.)	R	None	N	<table border="1" style="width: 100%; border-collapse: collapse;"> <thead> <tr> <th>Material</th> <th>Code</th> </tr> </thead> <tbody> <tr> <td>Stainless Steel</td> <td>0</td> </tr> <tr> <td>Alloy</td> <td>1</td> </tr> </tbody> </table>	Material	Code	Stainless Steel	0	Alloy	1	<table border="1" style="width: 100%; border-collapse: collapse;"> <thead> <tr> <th>Finish</th> <th>Code</th> </tr> </thead> <tbody> <tr> <td>Gray</td> <td>G</td> </tr> <tr> <td>Red</td> <td>R</td> </tr> <tr> <td>Blue</td> <td>B</td> </tr> <tr> <td>Yellow</td> <td>Y</td> </tr> <tr> <td>White</td> <td>W</td> </tr> <tr> <td>Other*</td> <td>S</td> </tr> </tbody> </table> <p><small>* Please specify.</small></p>	Finish	Code	Gray	G	Red	R	Blue	B	Yellow	Y	White	W	Other*	S
Voltage	Code																																																																														
24V d.c.	B																																																																														
110V a.c.*	E																																																																														
120V a.c.†	F																																																																														
240V a.c.†	H																																																																														
Type	Code																																																																														
8 x 10 AWG	8U																																																																														
Wattage	Code																																																																														
FL4 13W (1 x 13W tube)	13																																																																														
26W (2 x 13W tubes)	26*																																																																														
39W (3 x 13W tubes)	39*																																																																														
FB4 60W	60																																																																														
100W	100																																																																														
Colour	Code																																																																														
Clear	C																																																																														
Red	R																																																																														
Blue	B																																																																														
Green	G																																																																														
Yellow	Y																																																																														
Amber	A																																																																														
Option	Code																																																																														
Duty*	D																																																																														
Tag*	T																																																																														
24V d.c. (relay init.)	R																																																																														
None	N																																																																														
Material	Code																																																																														
Stainless Steel	0																																																																														
Alloy	1																																																																														
Finish	Code																																																																														
Gray	G																																																																														
Red	R																																																																														
Blue	B																																																																														
Yellow	Y																																																																														
White	W																																																																														
Other*	S																																																																														
		<table border="1" style="width: 100%; border-collapse: collapse;"> <thead> <tr> <th>Certification</th> <th>Code</th> </tr> </thead> <tbody> <tr> <td>UL</td> <td>UL</td> </tr> <tr> <td>†UL (ordinary locations)</td> <td>UW</td> </tr> </tbody> </table> <p><small>† UW only available FL4.</small></p>	Certification	Code	UL	UL	†UL (ordinary locations)	UW	<table border="1" style="width: 100%; border-collapse: collapse;"> <thead> <tr> <th>Entries</th> <th>Code</th> </tr> </thead> <tbody> <tr> <td>1/2" NPT</td> <td>*M</td> </tr> <tr> <td>3/4" NPT</td> <td>*N</td> </tr> </tbody> </table> <p><small>* Prefix entry size (see diagram above) with entry position code e.g. 2M3M.</small></p>	Entries	Code	1/2" NPT	*M	3/4" NPT	*N	<table border="1" style="width: 100%; border-collapse: collapse;"> <thead> <tr> <th>Guard</th> <th>Code</th> </tr> </thead> <tbody> <tr> <td>None</td> <td>0</td> </tr> <tr> <td>Guard</td> <td>1</td> </tr> </tbody> </table>	Guard	Code	None	0	Guard	1	<table border="1" style="width: 100%; border-collapse: collapse;"> <thead> <tr> <th>Material</th> <th>Code</th> </tr> </thead> <tbody> <tr> <td>Stainless Steel</td> <td>0</td> </tr> <tr> <td>Alloy</td> <td>1</td> </tr> </tbody> </table>	Material	Code	Stainless Steel	0	Alloy	1																																																		
Certification	Code																																																																														
UL	UL																																																																														
†UL (ordinary locations)	UW																																																																														
Entries	Code																																																																														
1/2" NPT	*M																																																																														
3/4" NPT	*N																																																																														
Guard	Code																																																																														
None	0																																																																														
Guard	1																																																																														
Material	Code																																																																														
Stainless Steel	0																																																																														
Alloy	1																																																																														

To order ATEX approved version, see European data sheet.