



Features

- Polycarbonate enclosure.
- 10 watt rated power.
- 100V line transformer / 8 Ohm options.
- Six different tap levels.
- Self-resetting fuse to keep the audio line working in case of short circuit.
- Ingress Protection IP56.
- White Colour RAL 9010.
- Talk back button available as an option (IMCOS-5253-TB).

Product Description

IMCOS-5253 is a loudspeaker for wall and ceiling installations.

Compact solution for professional use with good sound quality.

Type approved by marine class societies: ABS, BV, CCS, DNV, GL,LR, RINA.

IMCOS™ System is type approved by seven marine class societies.



Gitiessa Srl
via Ponte Polcevera 8/14
16161 Genova, Italy
Sales Enq. IT: +39 010 7416801

Hazardous Area Communications (USA)
3413 North Sam Houston Parkway West,
Suite 212, Houston, TX 77086, USA
Sales Enq. USA: +1 (713) 937 9772

Gitiessa

Web: www.gitiessa.com
E-Mail: gitiessa@gitiessa.com

Specification

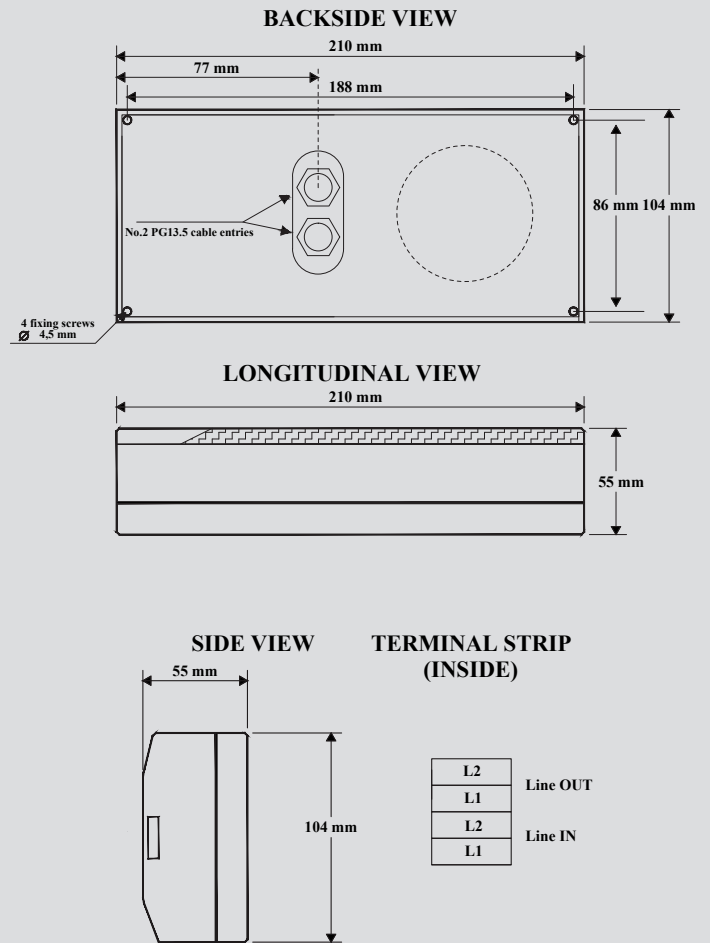
Material:	Polycarbonate - White Colour RAL 9010.
Mounting:	4 Screws to wall or ceiling.
Cable Glands:	2 x PG 13,5.
Ingress Protection:	IP 56.
Weight without / with transformer:	0,5 / 0,8 Kg.
Nominal / Max. power:	10 / 15 W.
Max/min temperature:	+130/-30 (V0) °C.
Effective Frequency range:	150-20000 Hz.
SPL (1W/1m):	88 dB.
Dispersion (-6 dB) 1000/4000 Hz:	140/100 Degrees.
Impedance on request:	100 V transformer / 8 Ohm, complete with internal fuse.

Nominal Tapping (secondary coil):

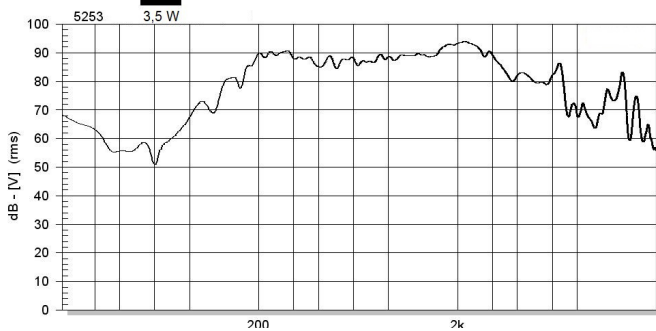
- 1 : 4 = 10,0 W
- 1 : 3 = 5,0 W
- 2 : 4 = 3,5 W**
- 1 : 2 = 2,5 W
- 3 : 4 = 1,5 W
- 2 : 3 = 0,8 W

Test Certifications:	Dry heat cycle	EN 60068-2-2
	Damp heat cycle	EN 60068-2-30
	Cold Test	EN 60068-2-1
	Enclosure Protection	EN 60529
	Sinusoidal Vibration	EN 60068-2-6
	Safety	EN 60065-1

IMCOS-5253 Dimensions & Fixing



Fundamental + Harmonic distortion components
Signal at IN2



Ordering Requirements

The following code is designed to help in selection of the correct unit. Build up the reference number by inserting the code for each component into the appropriate box.

