



## Product Description

IMCOS-6801 is a versatile Ceiling Loudspeaker used in public address announcements installations.

Type approved by marine class societies: ABS, BV, CCS, DNV, GL,LR, RINA.

## Features

- Coated aluminium cover. White colour RAL 9010.
- Mild steel or aluminium dome construction.
- 6 watt maximum power.
- 100V line transformer / 8 Ohm options.
- Six different tap levels.
- Self resetting fuse to keep audio line working in case of short circuit.
- Spring clamps for fast mounting.

IMCOS™ System is type approved by seven marine class societies.



Gitiesse Srl  
via Ponte Polcevera 8/14  
16161 Genova, Italy  
Sales Enq. IT: +39 010 7416801

Hazardous Area Communications (USA)  
3413 North Sam Houston Parkway West,  
Suite 212, Houston, TX 77086, USA  
Sales Enq. USA: +1 (713) 937 9772

**Gitiesse**

Web: [www.gitiesse.com](http://www.gitiesse.com)  
E-Mail: [gitiesse@gitiesse.com](mailto:gitiesse@gitiesse.com)

## Specification

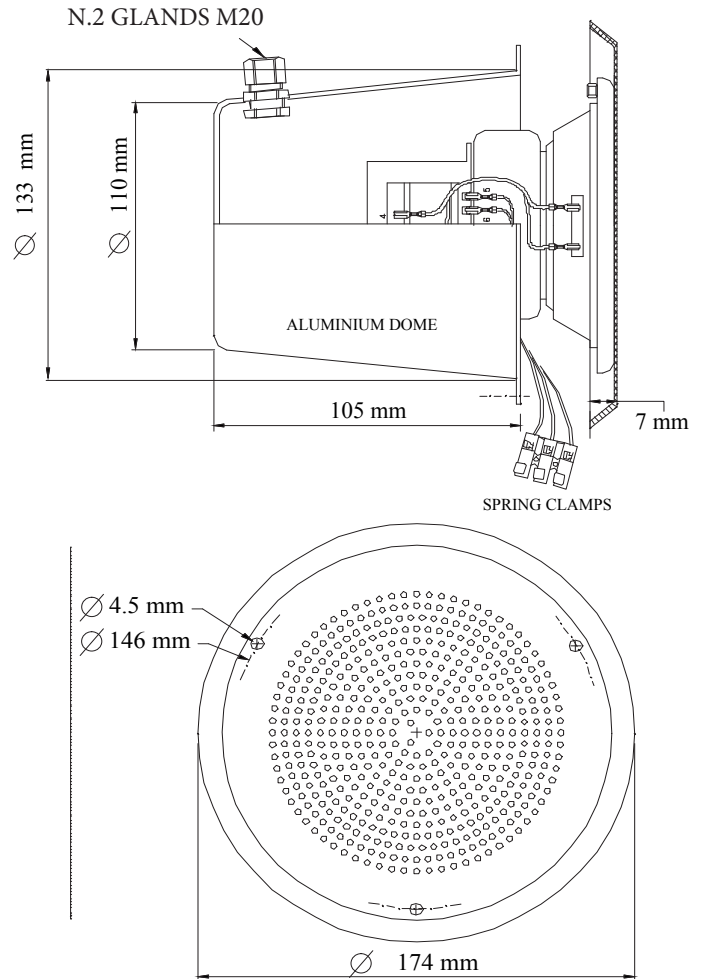
<b>Material:</b>	Aluminium / Steel - Colour RAL 9010.
<b>Mounting:</b>	3 + 3 Screws. (see instructions below); screws not included.
<b>Terminal:</b>	Spring Clamp.
<b>Cable Glands:</b>	2 x M20.
<b>Ingress Protection:</b>	IP 22.
<b>Weight:</b>	1,0 Kg.
<b>Power:</b>	6 W.
<b>Max/min temperature:</b>	+70/-25 °C.
<b>Effective Frequency range:</b>	50-20000 Hz.
<b>Max SPL 1W / 1m:</b>	92 dB.
<b>Dispersion (-6 dB) 1000/4000 Hz:</b>	170 / 60 Degrees.
<b>Impedance:</b>	100 V transformer / 8 Ohm completed with internal fuse.

### Nominal Tapping (secondary coil):

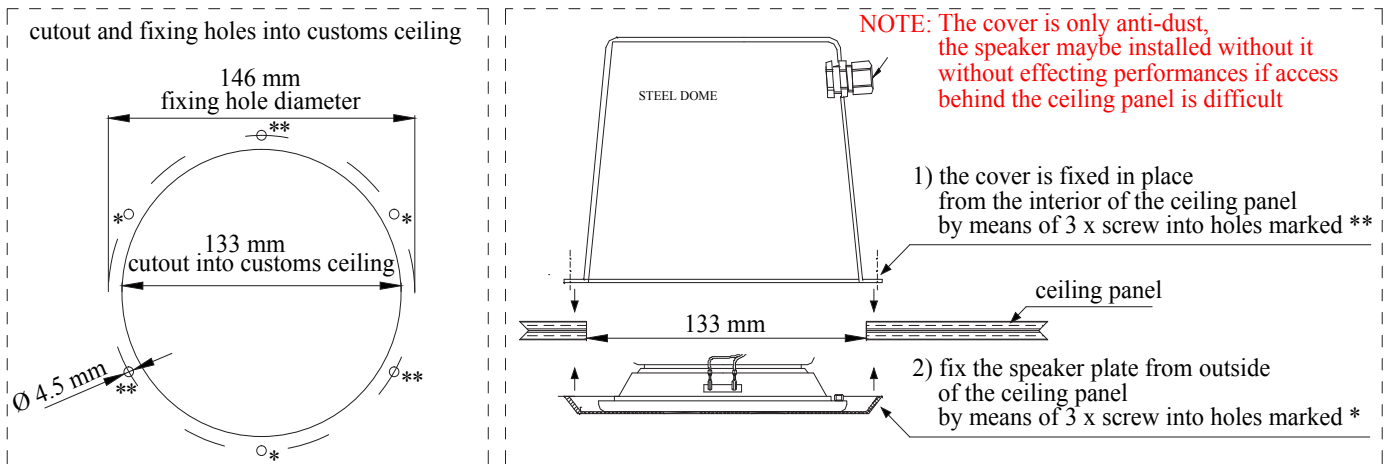
1 : 5 = 6,0 W
1 : 4 = 3,0 W
<b>2 : 5 = 2,0 W</b>
1 : 2 = 1,5 W
4 : 5 = 0,8 W
2 : 4 = 0,5 W

<b>Test Certifications:</b>	Dry heat cycle	EN 60068-2-2
	Damp heat cycle	EN 60068-2-30
	Cold Test	EN 60068-2-1
	Enclosure Protection	EN 60529
	Sinusoidal Vibration	EN 60068-2-6
	Safety	EN 60065-1

## IMCOS-6801 Dimensions & Fixing



## IMCOS-6801 Installation Notes



## Ordering Requirements

The following code is designed to help in selection of the correct unit. Build up the reference number by inserting the code for each component into the appropriate box.

<b>Model</b> IMCOS-6801-x	<b>Material</b> x	<b>Impedance</b> x	<b>Accessories</b> IMCOS-6801-AL-B Aluminium dome with bracket
<b>Entries</b> Aluminum Steel	<b>Code</b> AL ST	<b>Entries</b> Transformer 8 Ohm	<b>Code</b> TRASF TB