



MODEL DM-502-H2

HYDROGEN SENSOR ASSEMBLY

1% RANGE

888-367-4286
713-559-9200
fax 281-292-2860
www.detcon.com
sales@detcon.com

SPECIFICATIONS

Sensor Type
Electrochemical Fuel Cell

Measurement Range
0-1% by volume Hydrogen
Other ranges available

Repeatability
±2% FS

Response/Clearing Time
T90 <60 seconds

Span Drift
<2% signal loss per month

Operating Temperature Range
-40°C to +40°C; -40°F to +104°F

Operating Humidity Range
5-90% RH non-condensing

Output
Linear 4-20 mA DC

Input Voltage
11.5-28 VDC

Power Consumption
1.6 watts @ 24 VDC

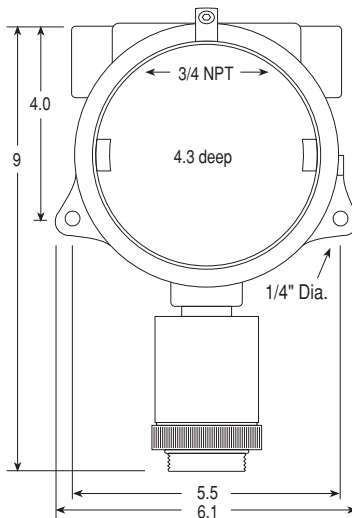
Electrical Classification
Explosion proof
Class 1, Div. 1, Groups B, C, D

Ingress Protection
NEMA 4X, IP66

Sensor Life/Warranty
Sensor: 2 year warranty
Transmitter: 2 year warranty

Safety Approvals
CSA/NRTL (US OSHA Certified)

DIMENSIONS



Splashguard 2"H x 2"Dia.

Electrochemical Fuel Cell

MicroSafe™ Intelligent Sensor

DESCRIPTION

Detcon Model DM-502IS-H2 sensor is designed to detect and monitor H2 in air over the range 0-1% by volume. The sensor assembly consists of an electrochemical fuel cell mounted in an Intrinsically Safe stainless steel and ABS plastic housing that includes a splashguard with integral cal port, a signal conditioning control transmitter circuit, a base connector board and an explosion proof junction box. The Intrinsically Safe sensor housing design allows direct contact of the target gas to the electrochemical sensor, thus maximizing response time, detectability and repeatability. And because the Intrinsically Safe housing design does not use a stainless steel flame arrestor, it eliminates inaccurate readings due to target gas absorption.

FEATURES

- ▶ CSA and UL Approved: Class 1, Div. 1, Groups B, C, & D
- ▶ 4-20 mA output
- ▶ Simple menu driven calibration - takes less than 3 minutes
- ▶ Backlit LCD, and LED indicators for Fault, and Cal status
- ▶ Universal plug-in transmitter
- ▶ Intrinsically Safe Sensor Housing
- ▶ Plug-in field-replaceable transmitter
- ▶ Electrochemical plug-in sensor

ORDER GUIDE

PN 965-070780-01P DM-502IS-H2 in Aluminum Junction Box
PN 965-07078B-01P DM-502IS-H2 in Stainless Steel Junction Box



www.detcon.com