

# EE10-T / EE10-P

## Room Temperature Transmitters and Sensors

EE10 is the ideal solution for room temperature measurement in residential and commercial HVAC applications. The very stylish, snap-on enclosure allows for easy installation and replacement of the sensing unit for service purposes.

The EE10 transmitters supply a 0-10 V or 4-20 mA output, while the EE10 sensors have passive temperature output. An optional LCD display is available for the EE10 transmitters.

Two different enclosure designs ensure professional appearance according to regional standards.



### Typical Applications

Residential and commercial building automation  
 Switching cabinets  
 Indoor climate control

### Features

Excellent price / performance ratio  
 Easiest installation  
 Modern design

### Technical Data

#### Measuring Quantities

##### Temperature (active output)

Analogue output 0...50 °C (32...122 °F) <sup>1)</sup>	0-10 V	-1 mA < I <sub>L</sub> < 1mA
	4-20 mA (two wires)	R <sub>L</sub> < (U <sub>V</sub> -10)/0.02 < 500 Ohm

Accuracy at 20 °C (68 °F)	±0.3 °C (±0.54 °F)
---------------------------	--------------------

##### Temperature (passive output)

Type of T-Sensor	please see ordering guide
------------------	---------------------------

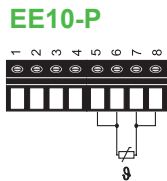
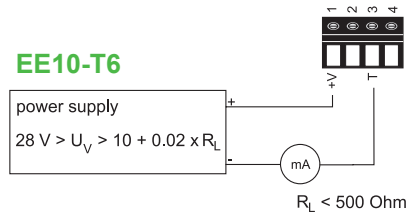
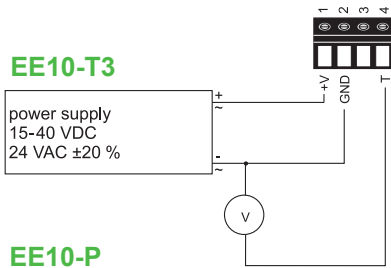
#### General Data

Voltage supply (U <sub>V</sub> )	for 0-10 V	15-40 V DC or 24 V AC ±20 %
	for 4-20 mA	28 V DC > U <sub>V</sub> > 10 + 0.02 x R <sub>L</sub> (R <sub>L</sub> < 500 Ohm)
Current consumption	for DC supply:	typical 4 mA
	for AC supply:	typical 15 mA <sub>eff</sub>
Electrical connection	Screw terminals max. 1.5 mm <sup>2</sup> (AWG 16)	
Housing material	Polycarbonat	
Protection class	US Version: UL94V-0 approved / EU Version: UL94HB approved	
Display	only for EE10-Tx version: temperature	
CE compatibility according	EN61326-1	FCC Part15 ClassB
	EN61326-2-3	ICES-003 ClassB
Temperature ranges	Working temperature range:	-5...55 °C (23...131 °F)
	Storage temperature range:	-25...60 °C (-13...140 °F)

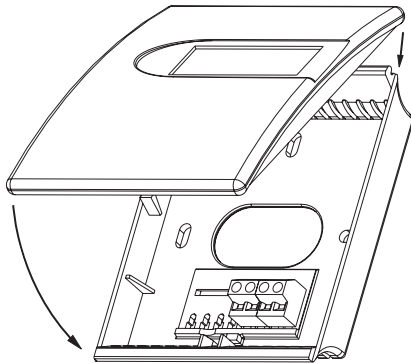


1) other scalings see datasheet „Scaling of the outputs“

## Connection Diagram



## Dimensions



### Housing colour:

#### Standard: (EU & US)

Front cover:	Signal white	RAL 9003
Back cover:	Light grey	RAL 7035

#### Optional (only EU):

Front and back cover	Grey	(Anthracite grey RAL 7016)
	Silver	(White aluminum RAL 9006)

EU:	W x H x D = 85 x 100 x 26mm	(3.3 x 3.9 x 1")
US:	W x H x D = 85 x 136 x 26mm	(3.3 x 5.4 x 1")

## Ordering Guide

MODEL	OUTPUT	T-SENSOR PASSIVE <sup>1)</sup>	DISPLAY	HOUSING DESIGN & COLOUR	T-UNIT	T-SCALE <sup>2)</sup>
temperature (T) active	0 - 10 V (3)		without display (--)	EU-Standard (RAL9003/RAL7035) (--)	°C (--)	0...50 (T04)
			with display (D04)	EU-Grey (RAL7016) (G)	°F (E01)	-5...55 (T31)
	4 - 20 mA (6)		EU-Silver (RAL9006) (S)		0...40 (T55)	
			US (RAL9003/RAL7035) (US)		20...120 (T15)	
temperature (P) passive		Pt100 DIN A (A)		EU-Standard (RAL9003/RAL7035) (--)		
		Pt1000 DIN A (C)		EU-Grey (RAL7016) (G)		
		Pt1000 DIN B (D)		EU-Silver (RAL9006) (S)		
		NTC10k (E)		US (RAL9003/RAL7035) (US)		
		Ni1000 TK6180 DIN B (J)				
		Ni1000 TK5000 DIN B (T)				
<b>EE10-</b>						

1) T-Sensor details see [www.epluse.com/R-T\\_Characteristics](http://www.epluse.com/R-T_Characteristics)

2) other scalings see datasheet „Scaling of the outputs“

## Order Example

### Active Output

#### EE10-T6D04/T04

Model:	Temperature active
Output:	4-20 mA
Display:	with display
Housing design & colour:	EU-Standard RAL9003/RAL7035
T-Unit:	°C
T-Scale:	0...50 (32...122 °F)

### Passive Output

#### EE10-PCUS

Model:	Temperature passive
T-Sensor passive:	Pt1000 DIN A
Display:	without display
Housing design & colour:	RAL9003/RAL7035 US

## Scope of supply

- EE10 transmitter or sensor according ordering guide
- Mounting material
- Test report according DIN EN10204 - 2.2 (for EE10-T)