

Compatex FP

The Superior Solution



CLEAN
AIR



POWER
GENERATION



CLEAN
ROOM



INDUSTRIAL

Packing up to 20 m² of filter media into a robust, space-saving design, Compatex FP provides maximum performance from a minimal size. Thanks to a highly efficient media, pleated into mats and fitted into a rigid self supporting frame, Compatex FP provides an outstanding dust holding capacity, along with a high burst resistance. This ingenious design also eliminates dust migration and fibre loss.

In addition, with a fully incinerable frame constructed from recyclable materials and a low pressure drop which reduces energy consumption, Compatex FP has been designed to minimise its impact on the environment, as well as reducing your CO₂ emissions.



KEY FACTS

- Energy efficient grade A (F7-F9): For eco-friendly, low cost performance
- Large filter surface of up to 20 m²: Provides extremely long service life and air flows up to 5,000 m³/h
- Glass fibre paper media: No fibre loss
- Cavity profile frame from recycled plastic: For rigidity and stable performance
- Low pressure drop: Reduces energy consumption
- Fully incinerable without pollutant emission: For simple disposal
- Constructed from recyclable materials: Environmentally-friendly
- Comprehensive range Suited to a wide range of application
- Independently tested: For assured quality and performance
- Self-supporting and rigid: Provides high burst pressure and eliminates dust migration
- Multi-directional air flow and installation: To suit a variety of air handling units



MANN+HUMMEL participates in the ECC programme for Air Filters. Check ongoing validity of certificate: www.eurovent-certification.com or www.certiflash.com

Compatex FP

Technical Data

F-NT & HT	FP-	M6-610	F7-610	F8-610	F9-610
Air Flow V_M (normal service life)	m ³ /h	5,000	5,000	5,000	5,000
Initial Pressure Drop *	Pa	140	155	165	180
Air Flow V_R (rated service life)	m ³ /h	3,400	3,400	3,400	3,400
Initial Pressure Drop *	Pa	75	80	90	98
Filter Class as per EN 779	-	M6	F7	F8	F9
Efficiency (atmospheric), average, EN 779	%	60-80	80-90	90-95	>95
Arrestance (gravimetric), average, EN 779	%	98 >	99 >	99 >	~ 100
Energy Rating***	-	C	B	B	B

H-NT **	FP-	E10-610	E11-610	E12-610	H13-610
Air Flow V_M (normal service life)	m ³ /h	4,250	3,400	3,400	2,500
Initial Pressure Drop V_M *	Pa	190	180	290	235
Air Flow V_R (rated service life)	m ³ /h	3,400	3,000	3,000	2,000
Initial Pressure Drop V_R *	Pa	140	155	260	180
Filter Class V_R as per EN 1822 (and EN 779)	-	E10-(F9)	E11	E12	H13
Average Atmospheric Efficiency V_R EN 779	%	98	-	-	-
Min. Initial Efficiency V_R EN 1822 (MPPS-DEHS test)	%	85 >	95 >	99.5 >	99.95 >
Typ. Initial Efficiency V_R EN1822 (MPPS-DEHS-Test)	%	86	96	99.8	99.98

* Tolerance \pm 10% ** FP-HT not available in EPA & HEPA grades

*** Energy Rating—as is the case with many consumer goods, our M5–F9 filters are rated according to their energy efficiency on a scale of A+ (the best) to E (the worst). These ratings are certified by Eurovent and in accordance with the 4/21 scheme.

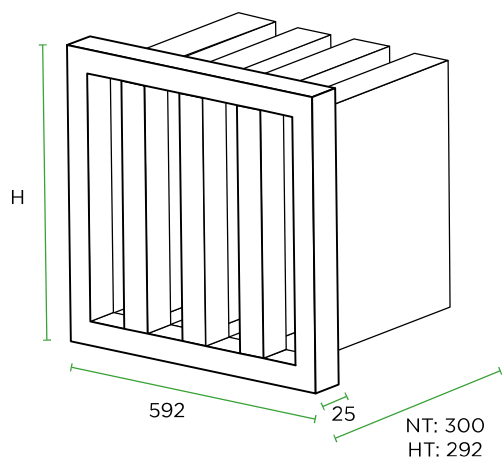
Application Parameters	
Continuous Operating	NT: < 75°C HT: < 120°C
Pressure Drop - Recommended Final Pressure Drop - Max. Final Pressure Drop	450 Pa 800 Pa
Bursting Pressure (new filter)	M6–F9: > 1,500 Pa E10–H13: > 2,000 Pa
Admissible Relative Humidity	< 100%

Materials	
Filter Media	M6–F9: 18 m ² glass fibre paper pleated to form mats E11–H13: 20 m ² glass fibre paper pleated to form mats
Frame–NT	Incinerable halogen-free recycled Polystyrol
Frame–HT	Plastic and galvanized steel
Sealant	Polyurethane
Flammability Class of Materials used	NT: K2/F2 according DIN 53438 HT: K1/F1 according DIN 53438

Compatex FP

Technical Data

DIMENSIONS (mm)



FP-...	305	420	508	610
Dimension H	287	402	490	592
Weight kg (F)	2.7	3.6	4.2	5.0
Weight kg (H)	3.2	4.4	5.2	6.2

PRESSURE DROP VERSUS AIR FLOW

