

GD-Slim

Filter Housing for Flat Filter Pads G2-G3



CLEAN
AIR



POWER
GENERATION



CLEAN
ROOM



INDUSTRIAL

Filter housing type GD-Slim is intended for flat filter pads G2-G3. The filter pad is inserted in a metal frame which is slid into a patented U-channel with holding springs and a low friction gasket to secure an air tight filter installation.

Type GD-Slim is manufactured from galvanized sheet steel provided with an access door on hinges. There are taps for a pressure gauge connection.

For integration with ductwork the housing may be ordered with PG-joint or flanges on in- and outlet.

Sizes – range from 200x200 mm to 2,100x2,100 mm in steps of 100 mm

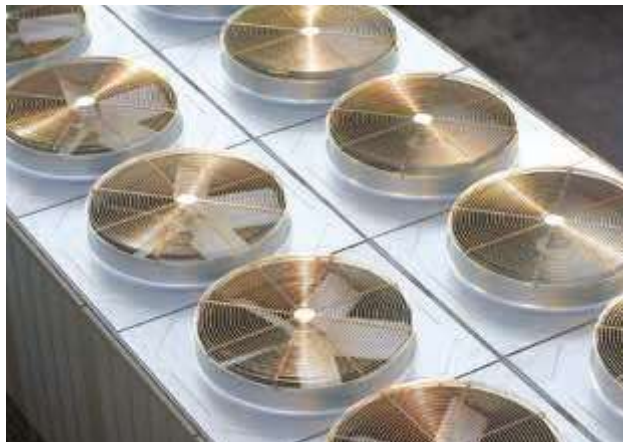
Capacity – 0.03–10 m³/s

Optional filter types:

- G200P G2, max. face velocity 1.5 m/s
- Scandglas, yellow G2 max. face velocity 2.5 m/s
- G300P G3, max. face velocity 1.5 m/s
- HI G3, max. face velocity 2.5 m/s
- TI100 G3, max. face velocity 2.5 m/s

KEY FACTS

- Compact – only 220 mm deep: Suitable for use where space is limited
- Fitted with secure filter latches: To prevent accidental opening
- Constructed from galvanised steel: For excellent strength and rigidity
- Side access door and pressure gauge connection taps: Simplifies filter install and maintenance
- Both flange and PG joint duct connections available: For seamless integration with the ductwork

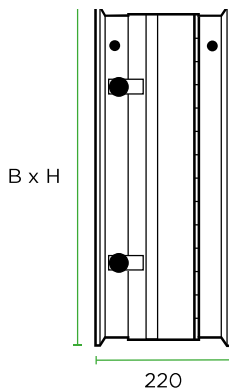


GD-Slim

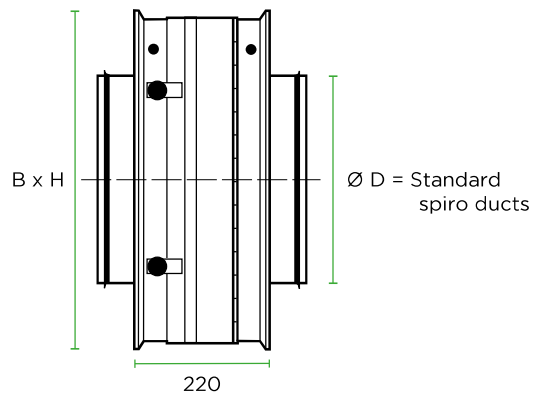
Technical Data

DIMENSIONS (mm)

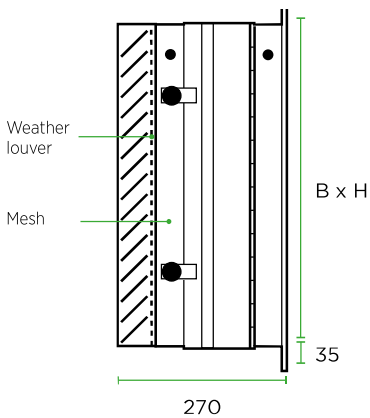
TYPE ST
For ductwork application



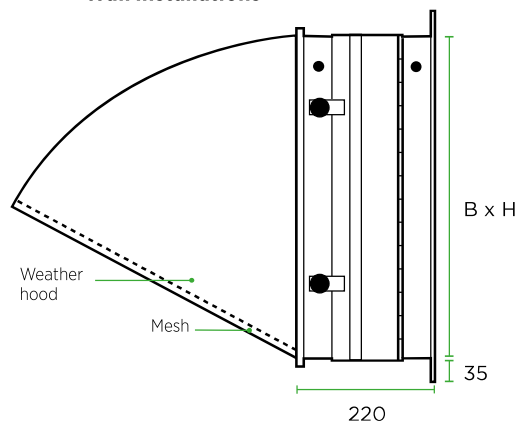
TYPE RT
For circular ducts



TYPE IT
Wall installations



TYPE HT
Wall installations



Dimensions

B	H	Nominal Air Flow, m ³ /s
200-2100	200-2100	0,03-10



Specification for Ordering. Example:

Type GD-Slim filter housing size 400x500, manufactured from galvanized steel with access door on hinges and taps for a pressure gauge connection. The filter housing shall include a weather hood type HT and a flange for wall installation. Type of filter - TI 100, G3.