

Intrinsically Safe (Ex ia), Weatherproof



Features

- Zones 0, 1, 2 & safe area use.
- Ex ia IIB/IIC T4.
- ATEX approved, Ex II 1G.
- BASEEFA certified.
- IECEx certified Ga.
- CUTR certified.
- IP66 & IP67.
- Certified temperature: -55°C to +60°C.
- Corrosion resistant GRP body.
- High intensity flash.
- Clear polycarbonate lens.
- Retained stainless steel cover screws.
- Encapsulated electronics.

Introduction

This range of ruggedised, intrinsically safe and weatherproof beacons, intended for use in potentially explosive atmospheres, have been designed with high ingress protection to cope with the harsh environmental conditions found offshore and onshore in the oil, gas and petrochemical industries.

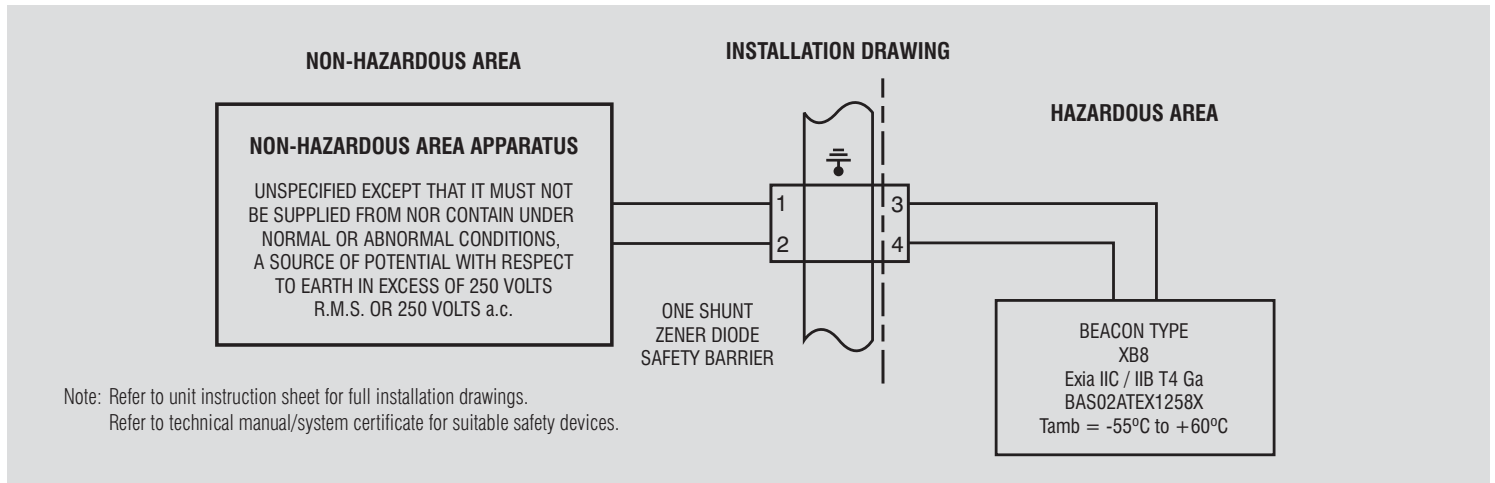
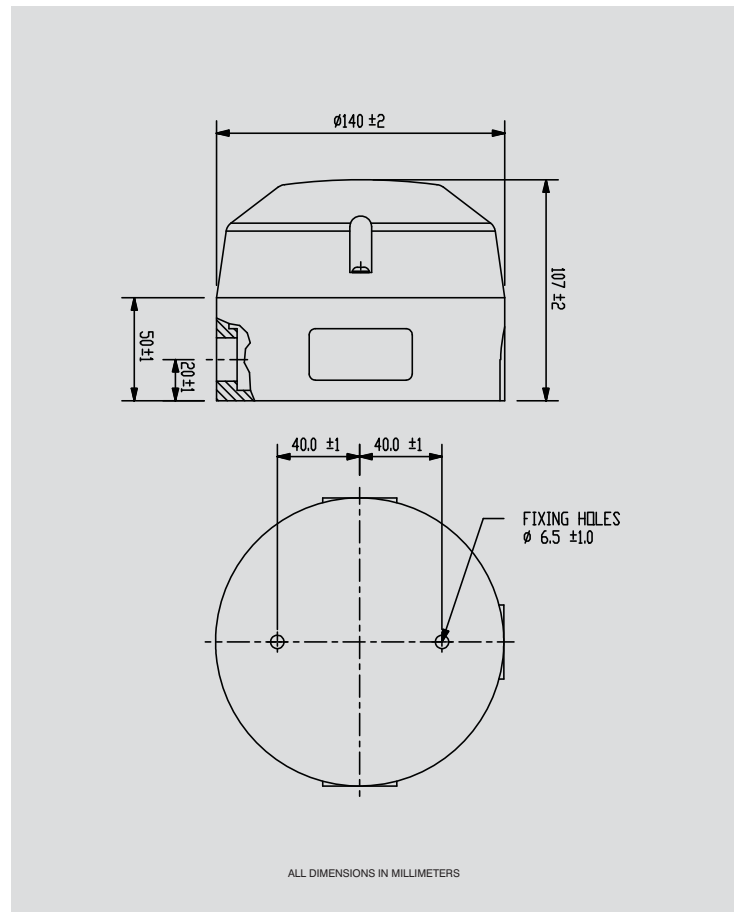
The unit is available in 12V and 24V versions and for gas groups IIB or IIC.

A lower cost, uncertified version is available.



Certification and Specification

ATEX Ex ia:	Cert. no. BAS00ATEX1258X. Certified to: EN60079-0, EN60079-11. Ex II 1G, Ex ia IIB/IIC T4 Ga. System cert. no. Baseefa13Y0230
IECEX Ex ia:	Cert. no. IECEX BAS 10.0111X. Certified to: IEC60079-0, IEC60079-11. Ex ia IIB/IIC T4 Ga.
CUTR Ex ia:	0Ex ia IIB/IIC T4 Ga. Russian Fire Approved.
ABS:	American Bureau of Shipping Type Approval.
Material:	UV stable glass reinforced polyester body. Clear polycarbonate cover/lens. Retained stainless steel cover screws.
Finish:	Painted red as standard or to customer specification.
Tube Energy:	IIB version 0.5 Joules. IIC version 0.4 Joules.
Weight:	1.4 kg.
Certified Temp:	-55°C to +60°C.
Ingress Protection:	IP66 & IP67.
Tube Life:	> 1 x 10 ⁶ flashes.
Voltage:	12V or 24V via suitable barrier.
Current Consumption:	24V IIB model – 71mA max. nominal. 24V IIC model – 55mA max. nominal. 12V IIB & IIC models – 52mA max. nominal.
Tube Type:	Xenon discharge.
Lens Colour:	Clear as standard. Coloured options available.
Terminals:	8 x 2.5mm ² .
Flash Rate:	1 flash per second.
Labels:	Duty and tag labels optional.
Cable Entries:	Up to 3 x M20 via knockouts.



Ordering Requirements The following code is designed to help in selection of the correct unit. Build up the reference number by inserting the code for each component into the appropriate box.

Model	Certification	Voltage	Lens Colour	Label	Finish																																								
XB8	[]	[]	[]	[]	[]																																								
	<table border="1" style="width: 100%; border-collapse: collapse;"> <thead> <tr> <th>Certification</th> <th>Code</th> </tr> </thead> <tbody> <tr><td>ATEX IIB</td><td>BB</td></tr> <tr><td>ATEX IIC</td><td>BC</td></tr> <tr><td>IECEX IIB</td><td>JB</td></tr> <tr><td>IECEX IIC</td><td>JC</td></tr> <tr><td>CUTR IIB</td><td>GB</td></tr> <tr><td>CUTR IIC</td><td>GC</td></tr> </tbody> </table>	Certification	Code	ATEX IIB	BB	ATEX IIC	BC	IECEX IIB	JB	IECEX IIC	JC	CUTR IIB	GB	CUTR IIC	GC	<table border="1" style="width: 100%; border-collapse: collapse;"> <thead> <tr> <th>Voltage</th> <th>Code</th> </tr> </thead> <tbody> <tr><td>12V</td><td>012</td></tr> <tr><td>24V</td><td>024</td></tr> </tbody> </table>	Voltage	Code	12V	012	24V	024	<table border="1" style="width: 100%; border-collapse: collapse;"> <thead> <tr> <th>Lens Colour</th> <th>Code</th> </tr> </thead> <tbody> <tr><td>Clear (Standard)</td><td>C</td></tr> <tr><td>Special</td><td>S*</td></tr> </tbody> </table> <p style="font-size: small;">*Please specify.</p>	Lens Colour	Code	Clear (Standard)	C	Special	S*	<table border="1" style="width: 100%; border-collapse: collapse;"> <thead> <tr> <th>Label</th> <th>Code</th> </tr> </thead> <tbody> <tr><td>Duty</td><td>D*</td></tr> <tr><td>Tag</td><td>T*</td></tr> <tr><td>None</td><td>N</td></tr> </tbody> </table> <p style="font-size: small;">*Please specify wording.</p>	Label	Code	Duty	D*	Tag	T*	None	N	<table border="1" style="width: 100%; border-collapse: collapse;"> <thead> <tr> <th>Finish</th> <th>Code</th> </tr> </thead> <tbody> <tr><td>Painted Red</td><td>R</td></tr> <tr><td>Special</td><td>S*</td></tr> </tbody> </table> <p style="font-size: small;">*Please specify.</p>	Finish	Code	Painted Red	R	Special	S*
Certification	Code																																												
ATEX IIB	BB																																												
ATEX IIC	BC																																												
IECEX IIB	JB																																												
IECEX IIC	JC																																												
CUTR IIB	GB																																												
CUTR IIC	GC																																												
Voltage	Code																																												
12V	012																																												
24V	024																																												
Lens Colour	Code																																												
Clear (Standard)	C																																												
Special	S*																																												
Label	Code																																												
Duty	D*																																												
Tag	T*																																												
None	N																																												
Finish	Code																																												
Painted Red	R																																												
Special	S*																																												

All specifications, dimensions, weights and tolerances are nominal (typical) and MEDC reserve the right to vary all data without prior notice. No liability is accepted for any consequence of use.