

Ex d, Weatherproof



Introduction

These certified steady beacons have been designed for use in potentially explosive atmospheres and harsh environmental conditions. The enclosures are suitable for use offshore or onshore, where lightweight combined with corrosion resistance is required.

The housings are manufactured completely from a UV stable, glass reinforced polyester.* Stainless steel screws and mounting bracket are available ensuring a totally corrosion-free product.

Units can be painted to customer specification and supplied with identification labels.

**UL pipe mount variants use an alloy lens cover, painted black where applicable.*

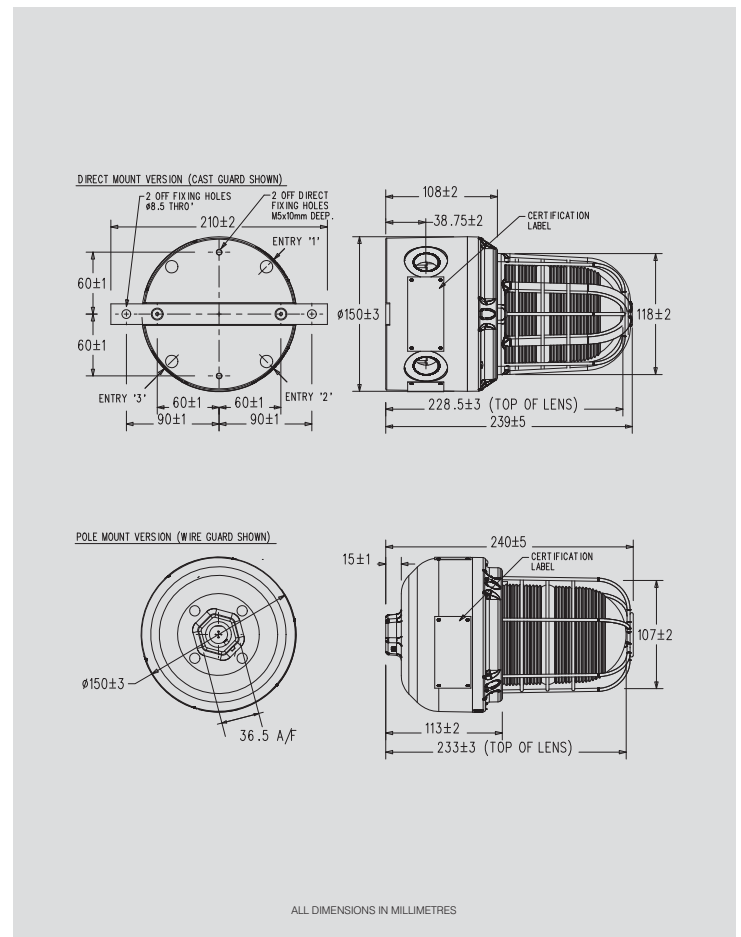
Features

- Zone 1 and Zone 2 use.
- Exd IIC T3/T4.
- ATEX approved, Ex II 2GD.
- UL listed for USA and Canada:
 - Hazardous locations:
 - Class I, Div. 2, Groups A, B, C & D.
 - Class I, Zone 1, AExd IIC T3/T4.
 - Ordinary locations: Visual-Signal Device.
- CUTR Certified.
- Brazilian (Inmetro) certified.
- IECEx Gb, Db.
- Certified temperature -55°C to $+70^{\circ}\text{C}$.
- Pipe mount or direct mount enclosure.
- Corrosion-free GRP.
- 60W or 100W filament bulb.
- Optional stainless steel backstrap.
- Various lens colours.
- Optional cast or wire lens guard.
- Up to 3 x M20 or 3 x M25 entries.



Certification and Specification

ATEX Exd:	Cert. no. Baseefa 04ATEX0009X. Certified to: EN50014, EN50018, EN50281-1-1. Ex II 2GD, Ex d IIC T3/T4 Gb.
IECEX Ex d:	Cert. no. IECEX BAS 05.0048X. Certified to: IEC60079-0, IEC60079-1, IEC61241-1-1. Ex d IIC T3/T4 DIP A21.
UL Haz Locs:	Listing no. E187894. Class I, Div 2, Groups A, B, C & D. Class I, Zones 1, AExd IIC T3/T4.
UL Ord Locs:	Listing no. S8128. Visual Signal Device.
CUTR Ex d:	1Ex d IIC T3/T4 DIP A21.
Inmetro Ex d:	Ex d IIC T3/T4 Gb.
Material:	Body: Glass reinforced polyester. (UL Pipe mount - alloy lens cover) Lens: Glass. Backstrap: stainless steel 316. Wire Guard (optional): Stainless steel wire. Cast Guard (optional): Aluminium LM25M.
Finish:	Natural black or painted to customer specification.
Models:	FB15 ATEX – Available in direct mount version only. FB15 UL – Available in pipe and direct mount versions.
Voltage:	24, 48V d.c. - 110, 120, 230, 240, 254V a.c.
Lamp Type:	60W or 100W GLS filament.
Lamp Holder:	E27 as standard.
Certified Temp:	60W: -55°C to +55°C (T4). -55°C to +70°C (T3). 100W: -55°C to +40°C (T3).
Weight:	Pipe mount: 2.6kg; Direct mount: 3.0kg.
Ingress Protection:	IP66 & IP67.
Entries:	ATEX version: Supplied as 2 x M20 entries as standard – Up to 3 x M20 or 3 x M25 entries. Contact sales office to order. UL version: Supplied as 2 x 3/4" NPT (direct mount) or 3/4" (pipemount) as standard. Other options available: Up to 3 x 1/2" NPT or 3 x 3/4" NPT (direct mount); 1/2" NPT (pipe mount) – contact sales office to order.
Terminals:	Direct mount: 12 x 2.5mm ² . Pipe mount: 8 x 2.5mm ² .
Labels:	Tag/Duty label option.



Electrical Ratings:

	d.c.		a.c.				
Voltage	24	48	110	120	230	240	254
Current (A) - 60W lamp	2.5	1.25	0.55	0.50	0.26	0.25	0.24
Current (A) - 100W lamp	4.2	2.1	0.91	0.83	0.43	0.42	0.39

Ordering Requirements

The following code is designed to help in selection of the correct unit. Build up the reference number by inserting the code for each component into the appropriate box.

Model	Certification	Voltage	Lamp	Lens Colour	Lens Guard	Fixings	Options	Finish																																																																																												
FB15																																																																																																				
	<table border="1"> <thead> <tr> <th>Certification</th> <th>Code</th> </tr> </thead> <tbody> <tr><td>ATEX</td><td>B</td></tr> <tr><td>IECEX</td><td>J</td></tr> <tr><td>UL</td><td>UL</td></tr> <tr><td>UL (ordinary location)</td><td>UW</td></tr> <tr><td>CUTR</td><td>G</td></tr> <tr><td>Inmetro</td><td>DM</td></tr> </tbody> </table>	Certification	Code	ATEX	B	IECEX	J	UL	UL	UL (ordinary location)	UW	CUTR	G	Inmetro	DM	<table border="1"> <thead> <tr> <th>Voltage</th> <th>Code</th> </tr> </thead> <tbody> <tr><td>24V d.c.</td><td>024</td></tr> <tr><td>48V d.c.</td><td>048</td></tr> <tr><td>110V a.c.</td><td>110</td></tr> <tr><td>120V a.c.</td><td>120</td></tr> <tr><td>230V a.c.</td><td>230</td></tr> <tr><td>240V a.c.</td><td>240</td></tr> <tr><td>254V a.c.</td><td>254</td></tr> </tbody> </table>	Voltage	Code	24V d.c.	024	48V d.c.	048	110V a.c.	110	120V a.c.	120	230V a.c.	230	240V a.c.	240	254V a.c.	254	<table border="1"> <thead> <tr> <th>Wattage</th> <th>Code</th> </tr> </thead> <tbody> <tr><td>60</td><td>60</td></tr> <tr><td>100</td><td>100</td></tr> </tbody> </table>	Wattage	Code	60	60	100	100	<table border="1"> <thead> <tr> <th>Colour</th> <th>Code</th> </tr> </thead> <tbody> <tr><td>Red</td><td>R</td></tr> <tr><td>Blue</td><td>B</td></tr> <tr><td>Green</td><td>G</td></tr> <tr><td>Amber</td><td>A</td></tr> <tr><td>Yellow</td><td>Y</td></tr> <tr><td>Clear</td><td>C</td></tr> </tbody> </table>	Colour	Code	Red	R	Blue	B	Green	G	Amber	A	Yellow	Y	Clear	C	<table border="1"> <thead> <tr> <th>Guard</th> <th>Code</th> </tr> </thead> <tbody> <tr><td>None</td><td>N</td></tr> <tr><td>Cast</td><td>C</td></tr> <tr><td>Wire</td><td>W</td></tr> </tbody> </table>	Guard	Code	None	N	Cast	C	Wire	W	<table border="1"> <thead> <tr> <th>Fixings</th> <th>Code</th> </tr> </thead> <tbody> <tr><td>Pipe mount</td><td>P*†</td></tr> <tr><td>Direct mount without backstrap</td><td>D†</td></tr> <tr><td>Direct mount with backstrap</td><td>B†</td></tr> </tbody> </table>	Fixings	Code	Pipe mount	P*†	Direct mount without backstrap	D†	Direct mount with backstrap	B†	<table border="1"> <thead> <tr> <th>Option</th> <th>Code</th> </tr> </thead> <tbody> <tr><td>None</td><td>N</td></tr> <tr><td>Tag label</td><td>T*</td></tr> <tr><td>Duty label</td><td>D*</td></tr> <tr><td>Blanking Plug</td><td>P</td></tr> </tbody> </table> <p>* Please specify.</p>	Option	Code	None	N	Tag label	T*	Duty label	D*	Blanking Plug	P	<table border="1"> <thead> <tr> <th>Finish</th> <th>Code</th> </tr> </thead> <tbody> <tr><td>Natural Black</td><td>N†</td></tr> <tr><td>Red</td><td>R</td></tr> <tr><td>Blue</td><td>B</td></tr> <tr><td>Yellow</td><td>Y</td></tr> <tr><td>Green</td><td>G</td></tr> <tr><td>White</td><td>W</td></tr> <tr><td>Special</td><td>S*</td></tr> </tbody> </table> <p>* Please Specify. † For UL this is painted black.</p>	Finish	Code	Natural Black	N†	Red	R	Blue	B	Yellow	Y	Green	G	White	W	Special	S*
Certification	Code																																																																																																			
ATEX	B																																																																																																			
IECEX	J																																																																																																			
UL	UL																																																																																																			
UL (ordinary location)	UW																																																																																																			
CUTR	G																																																																																																			
Inmetro	DM																																																																																																			
Voltage	Code																																																																																																			
24V d.c.	024																																																																																																			
48V d.c.	048																																																																																																			
110V a.c.	110																																																																																																			
120V a.c.	120																																																																																																			
230V a.c.	230																																																																																																			
240V a.c.	240																																																																																																			
254V a.c.	254																																																																																																			
Wattage	Code																																																																																																			
60	60																																																																																																			
100	100																																																																																																			
Colour	Code																																																																																																			
Red	R																																																																																																			
Blue	B																																																																																																			
Green	G																																																																																																			
Amber	A																																																																																																			
Yellow	Y																																																																																																			
Clear	C																																																																																																			
Guard	Code																																																																																																			
None	N																																																																																																			
Cast	C																																																																																																			
Wire	W																																																																																																			
Fixings	Code																																																																																																			
Pipe mount	P*†																																																																																																			
Direct mount without backstrap	D†																																																																																																			
Direct mount with backstrap	B†																																																																																																			
Option	Code																																																																																																			
None	N																																																																																																			
Tag label	T*																																																																																																			
Duty label	D*																																																																																																			
Blanking Plug	P																																																																																																			
Finish	Code																																																																																																			
Natural Black	N†																																																																																																			
Red	R																																																																																																			
Blue	B																																																																																																			
Yellow	Y																																																																																																			
Green	G																																																																																																			
White	W																																																																																																			
Special	S*																																																																																																			

All specifications, dimensions, weights and tolerances are nominal (typical) and MEDC reserve the right to vary all data without prior notice. No liability is accepted for any consequence of use.

