

## Intrinsically Safe (Exia), Weatherproof



### Features

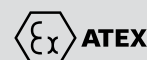
- Zone 0, Zone 1 and Zone 2 use.
- Exia IIC T4.
- ATEX Approved Ex II 1 G.
- BASEEFA certified.
- Designed in accordance with EN54-11.
- IP66 and IP67.
- Certified temperature: -55°C to +55°C.
- Corrosion free GRP.
- Optional in line/end of line resistors/diodes.
- Optional LED indicator.
- Optional lift flap.
- Key operated test facility.
- Various body colours available.

### Introduction

This manual fire alarm call point has been designed in accordance with the latest draft European Call Point Standard (EN54-11).

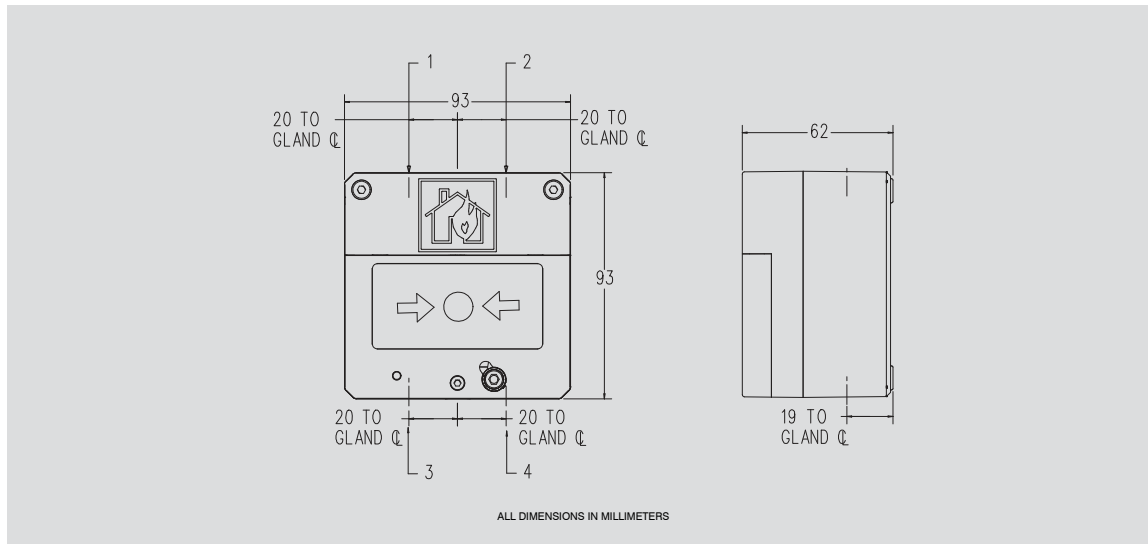
Weatherproof to IP66 and IP67 and available certified intrinsically safe, simple apparatus or uncertified. The units are manufactured from glass reinforced polyester (GRP) which provides a robust, corrosion free construction and ensures effective and reliable operation in harsh industrial and offshore environments.

Units are supplied in natural red GRP or painted to customer specification. 'Burning House' duty label is provided as standard, other duty and tag labels may be supplied to customer specification.



# Certification and Specification

	BG3I	BG3W
<b>Protection:</b>	Explosion Protected Exi (Intrinsically Safe)	Dust-tight & Weatherproof
<b>Certification:</b>	CENELEC EN50014, 020 BASEEFA Exia IIC T4 Cert No. BAS00ATEX1067X Suitable for use in Zones 0, 1 & 2	Not applicable
<b>Voltage:</b>	Up to 28V (IS)	Up to 250V a.c.
<b>Certified Temperature:</b>	-55°C to +55°C	Not applicable
<b>Ingress protection:</b>	IP66 & IP67	IP66 & IP67
<b>European Standard for Call Points:</b>	EN54-11	EN54-11
<b>Terminals:</b>	6 x 4.0mm <sup>2</sup>	6 x 4.0mm <sup>2</sup>
<b>Switch Ratings:</b>	Not Applicable	d.c. 0V - 30V 3A resistive or inductive 30V - 50V 1A resistive or inductive a.c. 0 - 250V 3A resistive or inductive
<b>Resistor Values:</b>	470R Minimum	270R Minimum
<b>Cable Entries:</b>	2 x M20 top or bottom	2 x M20 top or bottom
<b>Weight:</b>	0.5Kg	0.5Kg
<b>Material:</b>	UV resistant glass reinforced polyester	UV resistant glass reinforced polyester
<b>Finish:</b>	Natural Red GRP or Painted GRP to Customer requirements	Natural Red GRP or Painted GRP to Customer requirements
<b>Duty/Tag Labels:</b>	Stainless steel as standard	Plastic as standard



## Ordering Requirements

The following code is designed to help in selection of the correct unit. Build up the reference number by inserting the code for each component into the appropriate box.

Model	Certification	Labels	Options	Entries	Finish																																																																				
BG3																																																																									
	<table border="1"> <thead> <tr> <th>Certification</th> <th>Code</th> </tr> </thead> <tbody> <tr> <td>Weatherproof</td> <td>W</td> </tr> <tr> <td>Exia</td> <td>I</td> </tr> </tbody> </table>	Certification	Code	Weatherproof	W	Exia	I	<table border="1"> <thead> <tr> <th>Label</th> <th>Code</th> </tr> </thead> <tbody> <tr> <td>Glass Label</td> <td></td> </tr> <tr> <td>Fire Break Glass 'Press Here'</td> <td>1</td> </tr> <tr> <td>Break Glass 'Press Here'</td> <td>2</td> </tr> <tr> <td>Special</td> <td>3*</td> </tr> <tr> <td>European Standard </td> <td>4</td> </tr> <tr> <td colspan="2">-----</td> </tr> <tr> <td>Duty Label (special)</td> <td>5*</td> </tr> <tr> <td>Burning House </td> <td>as standard</td> </tr> <tr> <td colspan="2">-----</td> </tr> <tr> <td>Tag Label</td> <td>6*</td> </tr> </tbody> </table> <p>* Specify wording.</p>	Label	Code	Glass Label		Fire Break Glass 'Press Here'	1	Break Glass 'Press Here'	2	Special	3*	European Standard	4	-----		Duty Label (special)	5*	Burning House	as standard	-----		Tag Label	6*	<table border="1"> <thead> <tr> <th>Options</th> <th>Code</th> </tr> </thead> <tbody> <tr> <td>None</td> <td>N</td> </tr> <tr> <td>Resistor Series</td> <td>S*</td> </tr> <tr> <td>Resistor EOL</td> <td>E*</td> </tr> <tr> <td>Diode</td> <td>D</td> </tr> <tr> <td>Polycarbonate Lift flap</td> <td>F</td> </tr> <tr> <td>Stainless steel Lift flap</td> <td>C</td> </tr> <tr> <td>LED</td> <td>L</td> </tr> <tr> <td>Double Changeover</td> <td>T</td> </tr> <tr> <td>Plastic Element (replaces break glass)</td> <td>P</td> </tr> </tbody> </table> <p>* Please specify.</p>	Options	Code	None	N	Resistor Series	S*	Resistor EOL	E*	Diode	D	Polycarbonate Lift flap	F	Stainless steel Lift flap	C	LED	L	Double Changeover	T	Plastic Element (replaces break glass)	P	<table border="1"> <thead> <tr> <th>Entries</th> <th>Code</th> </tr> </thead> <tbody> <tr> <td>2 x M20 (bottom)</td> <td>B</td> </tr> <tr> <td>2 x M20 (top)</td> <td>T</td> </tr> </tbody> </table> <p>For blanking plugs add "P" to code. e.g. BP, 2 x M20 bottom entries with one blanking plug.</p>	Entries	Code	2 x M20 (bottom)	B	2 x M20 (top)	T	<table border="1"> <thead> <tr> <th>Finish</th> <th>Code</th> </tr> </thead> <tbody> <tr> <td>Natural Red</td> <td>R</td> </tr> <tr> <td>Blue</td> <td>B</td> </tr> <tr> <td>Green</td> <td>G</td> </tr> <tr> <td>White</td> <td>W</td> </tr> <tr> <td>Yellow</td> <td>Y</td> </tr> <tr> <td>Special</td> <td>S*</td> </tr> </tbody> </table> <p>* Please specify.</p>	Finish	Code	Natural Red	R	Blue	B	Green	G	White	W	Yellow	Y	Special	S*
Certification	Code																																																																								
Weatherproof	W																																																																								
Exia	I																																																																								
Label	Code																																																																								
Glass Label																																																																									
Fire Break Glass 'Press Here'	1																																																																								
Break Glass 'Press Here'	2																																																																								
Special	3*																																																																								
European Standard	4																																																																								
-----																																																																									
Duty Label (special)	5*																																																																								
Burning House	as standard																																																																								
-----																																																																									
Tag Label	6*																																																																								
Options	Code																																																																								
None	N																																																																								
Resistor Series	S*																																																																								
Resistor EOL	E*																																																																								
Diode	D																																																																								
Polycarbonate Lift flap	F																																																																								
Stainless steel Lift flap	C																																																																								
LED	L																																																																								
Double Changeover	T																																																																								
Plastic Element (replaces break glass)	P																																																																								
Entries	Code																																																																								
2 x M20 (bottom)	B																																																																								
2 x M20 (top)	T																																																																								
Finish	Code																																																																								
Natural Red	R																																																																								
Blue	B																																																																								
Green	G																																																																								
White	W																																																																								
Yellow	Y																																																																								
Special	S*																																																																								